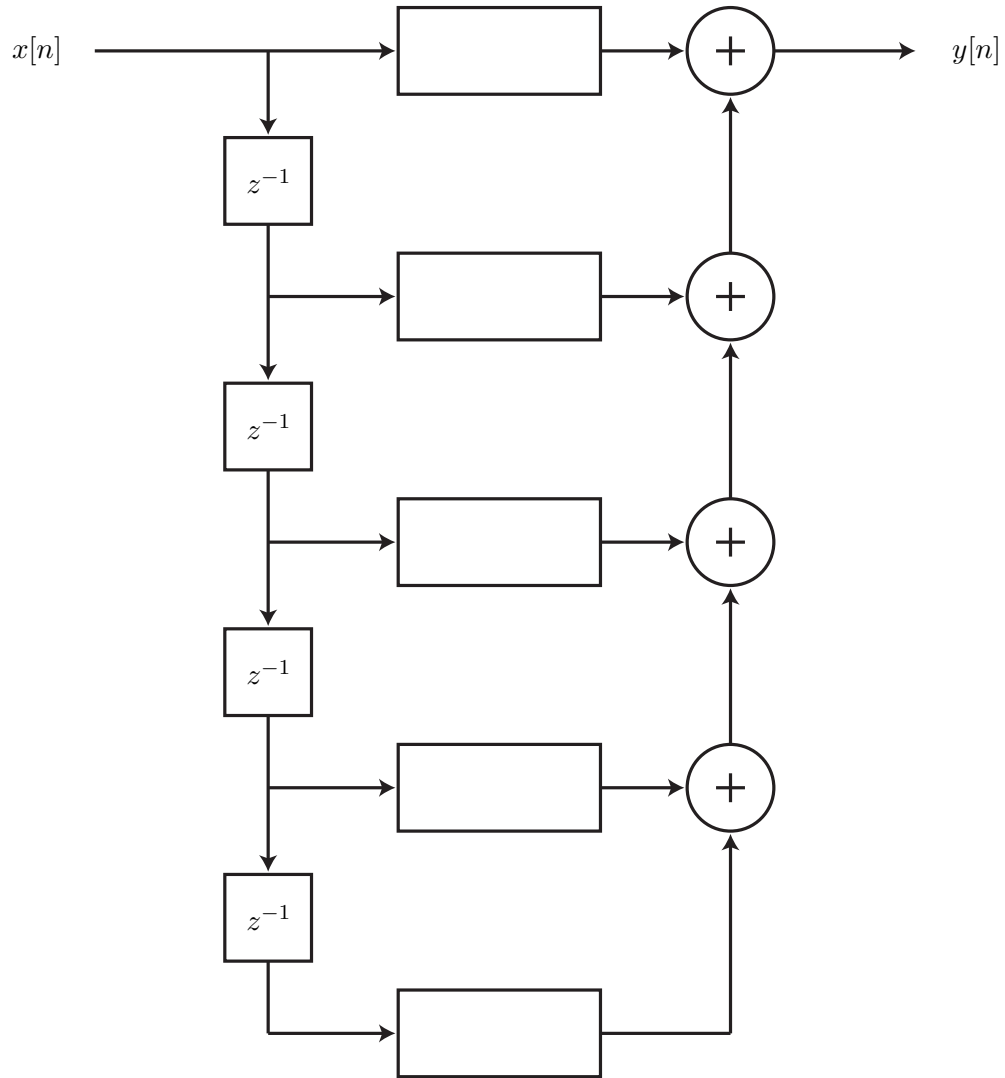
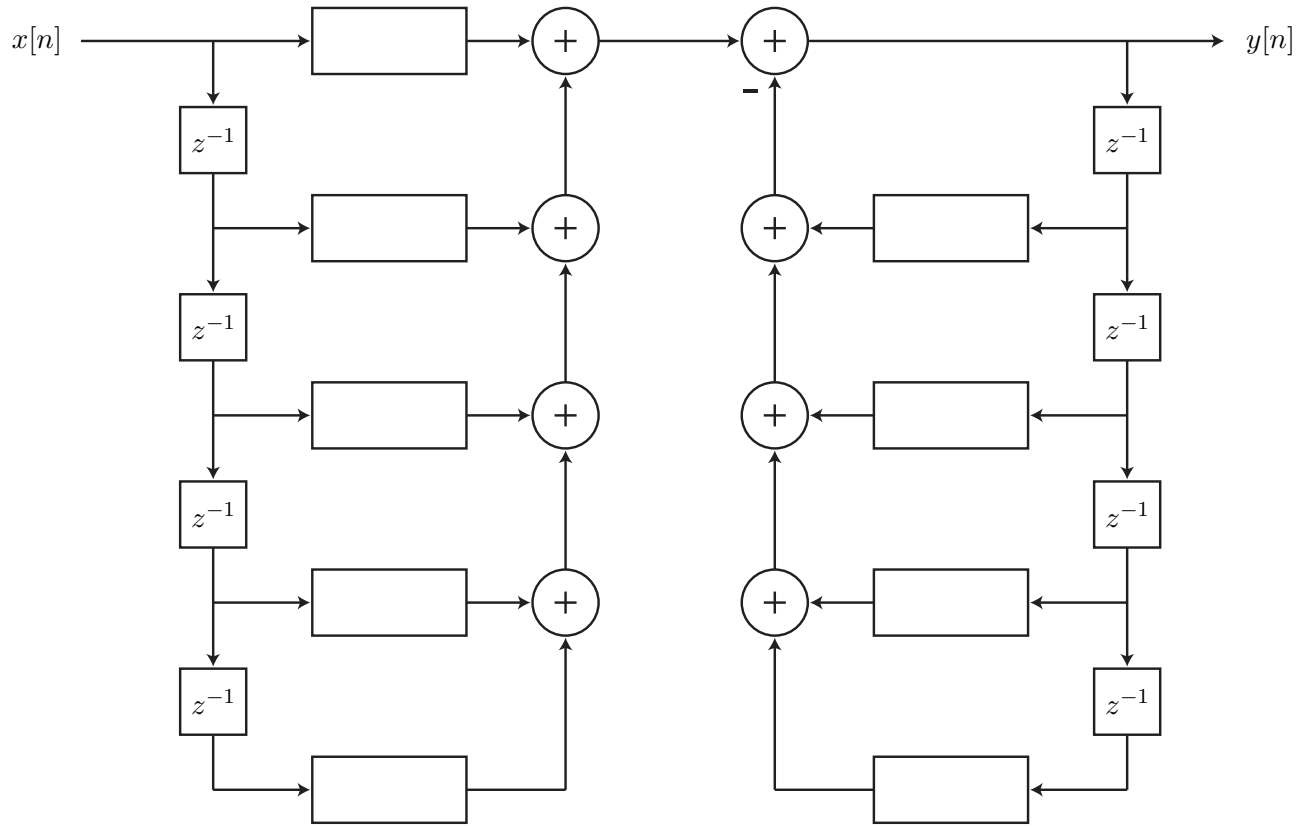


FIR filter: Direct Form I



IIR filter: Direct Form I



IIR filter: Direct Form II SOS

