

D. Richard Brown III  
Associate Professor  
Worcester Polytechnic Institute  
Electrical and Computer Engineering Department  
drb@ece.wpi.edu

# ECE4703 REAL-TIME DSP LAB HARDWARE INTRODUCTION



# C6713 DSK Overview

- ⦿ Texas Instruments TMS320C6713 *floating point* DSP running at 225 MHz
- ⦿ AIC23 stereo codec (ADC and DAC)
  - Ideal for audio applications
  - 8-96 kHz sample rates
  - Line in/out (we use these most of the time)
  - Microphone in
  - Headphone out
- ⦿ Memory
  - 16 MB dynamic RAM
  - 512 kB nonvolatile FLASH memory
- ⦿ General purpose I/O
  - 4 LEDs
  - 4 DIP switches
- ⦿ USB interface to PC

# C6713 DSK Functional Block Diagram

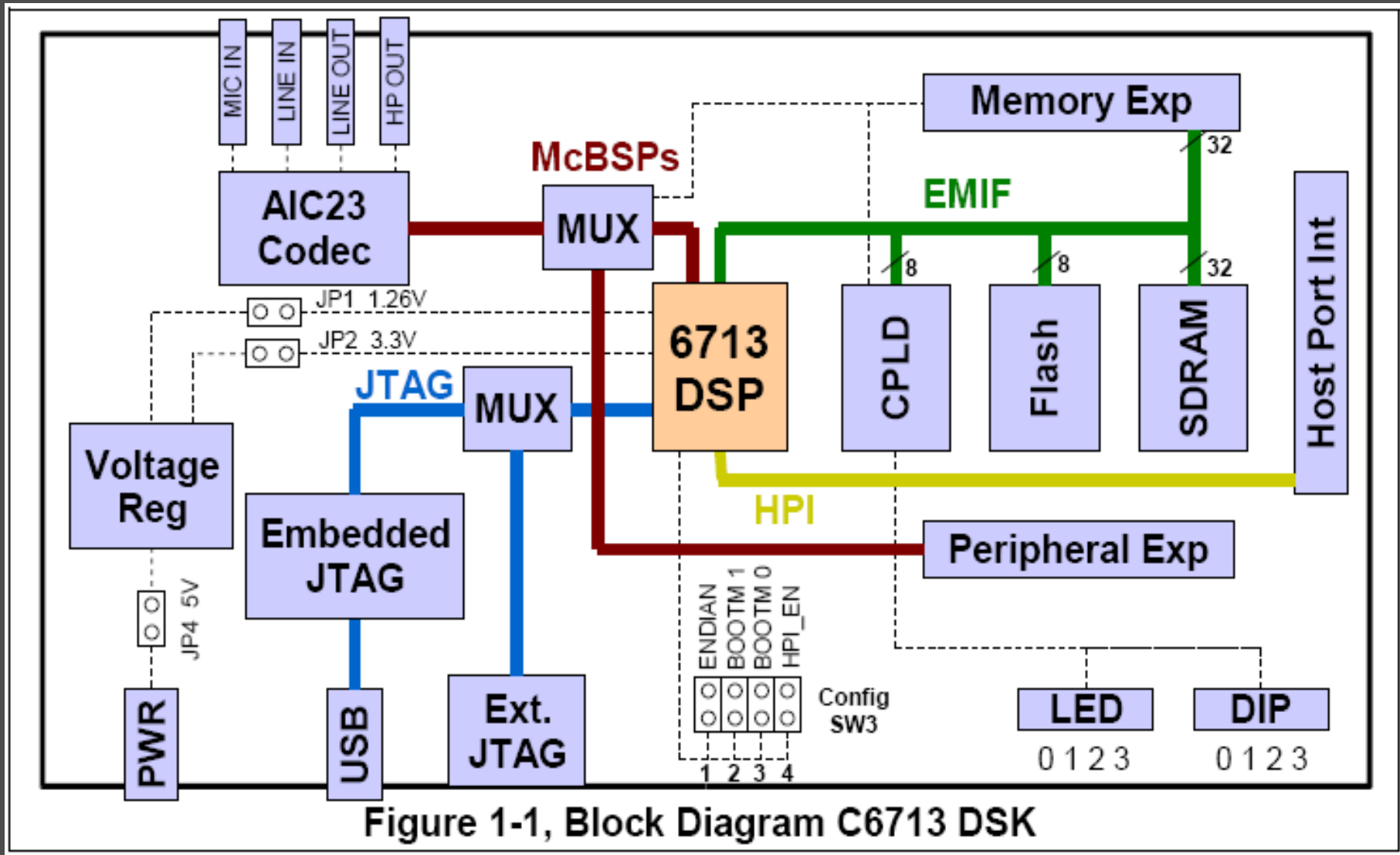
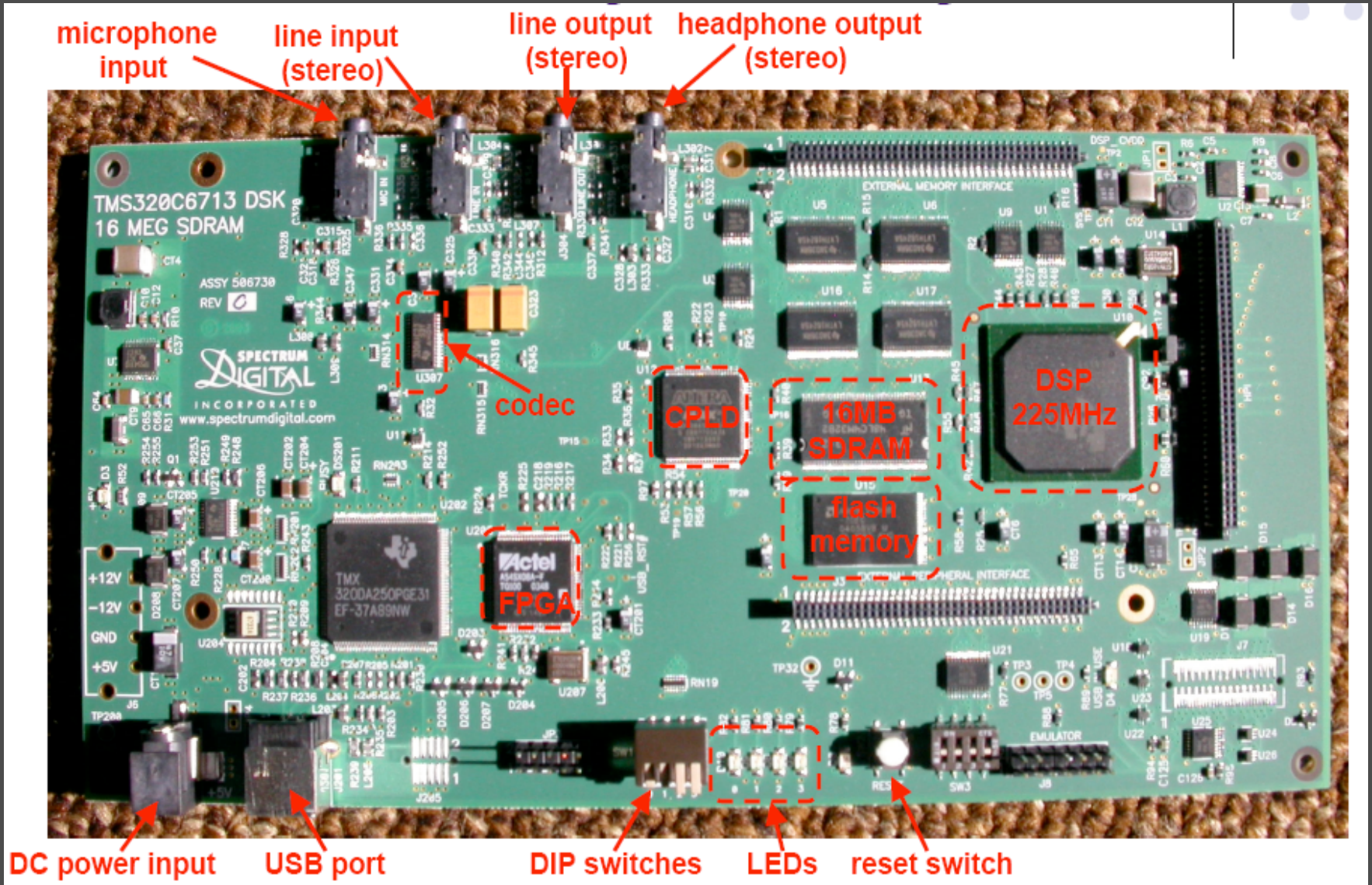


Figure 1-1, Block Diagram C6713 DSK

# C6713 DSK Physical Layout



# For More Information

- See the TMS320C6713 Technical Reference  
[http://spinlab.wpi.edu/courses/ece4703/tms320c6713dsk\\_technical\\_reference.pdf](http://spinlab.wpi.edu/courses/ece4703/tms320c6713dsk_technical_reference.pdf)
- See the AIC23 codec datasheet  
[http://spinlab.wpi.edu/courses/ece4703/aic23\\_datasheet.pdf](http://spinlab.wpi.edu/courses/ece4703/aic23_datasheet.pdf)
- See other useful links on course website.